

PG36

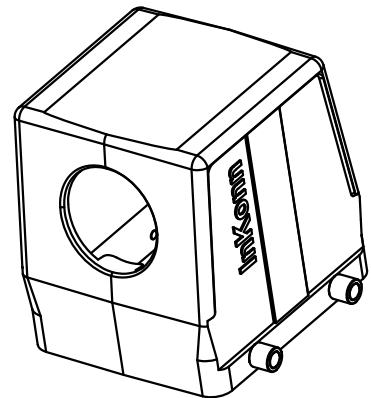
InKonn



94

93.5

82.5

99.1



 All Dimensions in mm Original Size DIN A4	Date 2020-03-24	Drawing No. TC7997657	Rev. A00	Scale 1:1
	Part No. 10 11 832 1145	Created by Shuxu Huang	Checked by Yiyi Luo	Page 1/1
 InKonn® InKonn (Suzhou) Electric Technology Co.,Ltd.		Type Name HB32-HSE-QR-PG36		